



DESCRIPTION AND APPLICATIONS

The model 625SKK handset is a differential, close talking type microphone designed for use where background noise is at a high level. Sound energy arriving from a distance enters the microphone case through two apertures and the resulting phase relationship causes attenuation of the sound. Speech which originates close to the microphone enters only one aperture and is fully reproduced. Articulation is 97% under quiet conditions and 88% under 115 db of ambient noise.

The model 625SKK meets the most rigid requirements of industrial paging, intercom and communication service. A rugged, shock-resistant bakelite case makes the model 625SKK ideal for mobile applications. A coiled cord is provided for maximum convenience in operation, cable and switch are of highest quality for utmost reliability.

SPECIFICATIONS

- Type: Dynamic
- Frequency Response: 100 to 5000 cps
- Impedance: Microphone - 250 ohms, Receiver - 150 ohms
- Output Level: -55db (0 db - 1 mw/10 dynes/cm²)
EIA sensitivity rating, -147 db
- Polar Pattern: Bidirectional, pressure gradient
- Case: Medium impact phenolic
- Finish: Molded black
- Dimensions: Length, 8-1/2 in., Width, 2-5/8 in., Depth, 3 inches

- Net Weight: 1 lb. 5 oz., including cable
- Cable: 5-conductor coiled cord, unshielded, extends to 6 feet
- On-Off Switch: Press-to-talk (nonshorting type) on microphone circuit and relay switch

WARRANTY

The Electro-Voice Model 625SKK Microphone is guaranteed against defects in workmanship and materials.

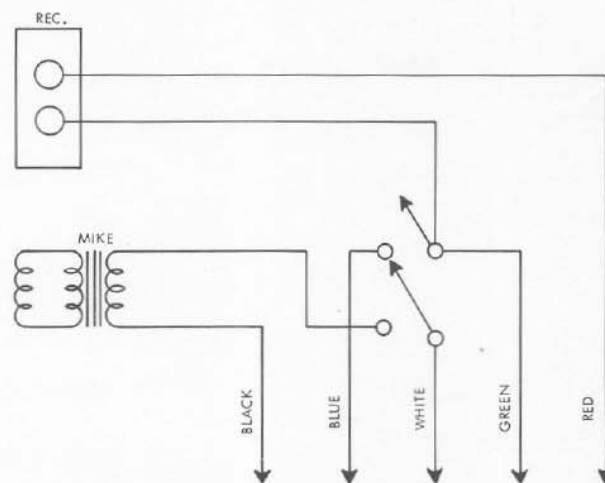


Figure 1-Wiring Diagram

ENGINEERING DATA MODEL 625SKK HANDSET